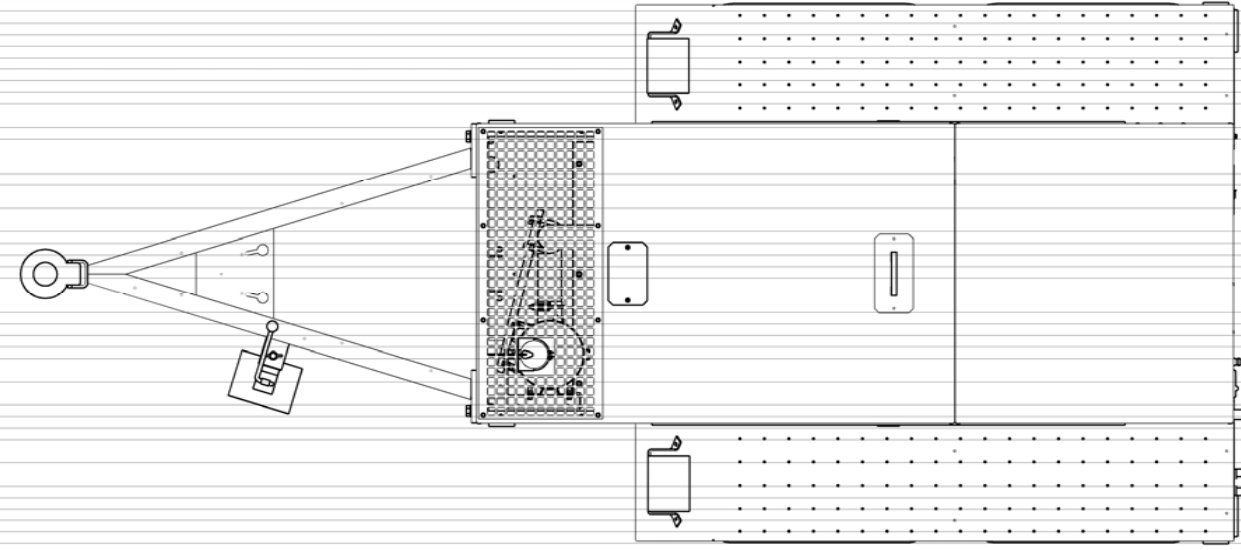


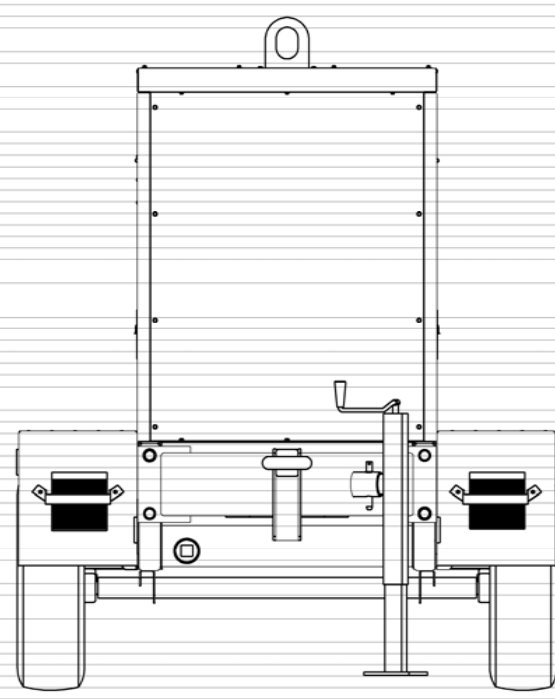
REV	A	RCG30080	ORIGINAL RELEASE	05-11-28	PV	DBM
SHT	B	RCG30104	ADDED LESS RUNNING GEAR VIEWS	2006FEB15	GAS	DBM

1. MINIMUM CLEARANCE OF 36 INCHES FROM OPPOSING SURFACES IS TO BE MAINTAINED ON ALL SIDES AND OVERHEAD DURING OPERATION.

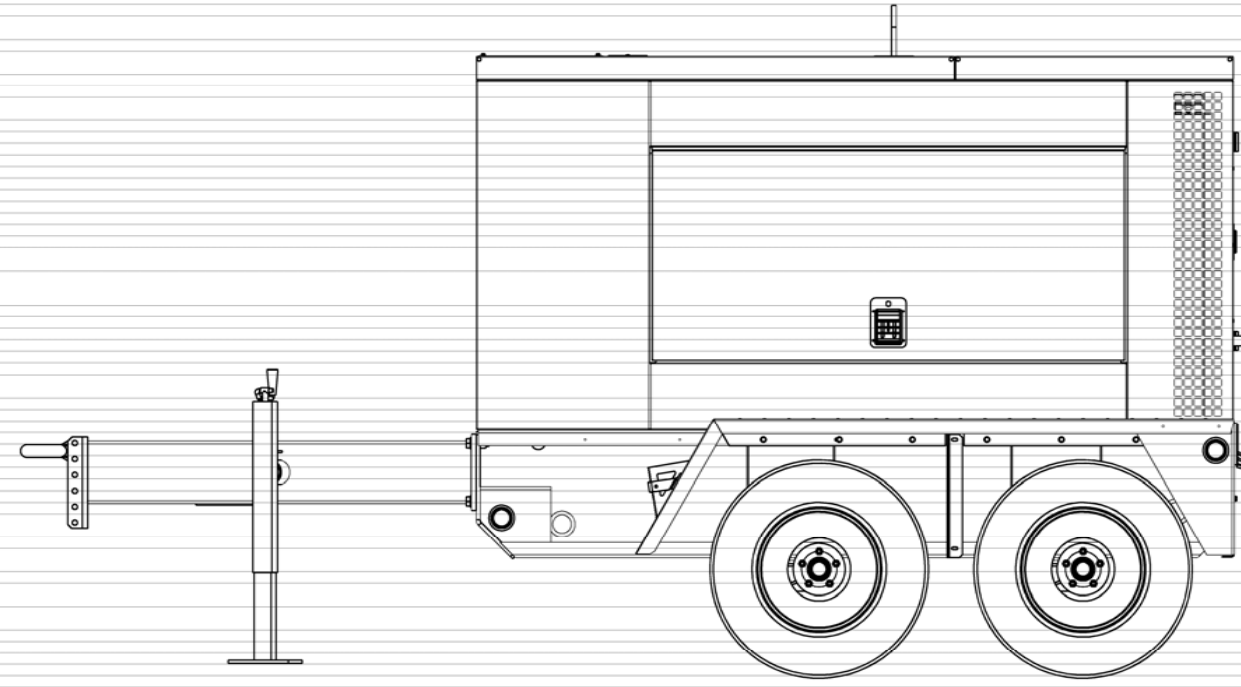
2. INCH AND METRIC DIMENSIONS IN THE FIELD OF THE DRAWING ARE COMBINED BY PLACING THE METRIC DIMENSION BELOW THE INCH DIMENSION.  
EXAMPLE : INCH 10.5  
MM [267]



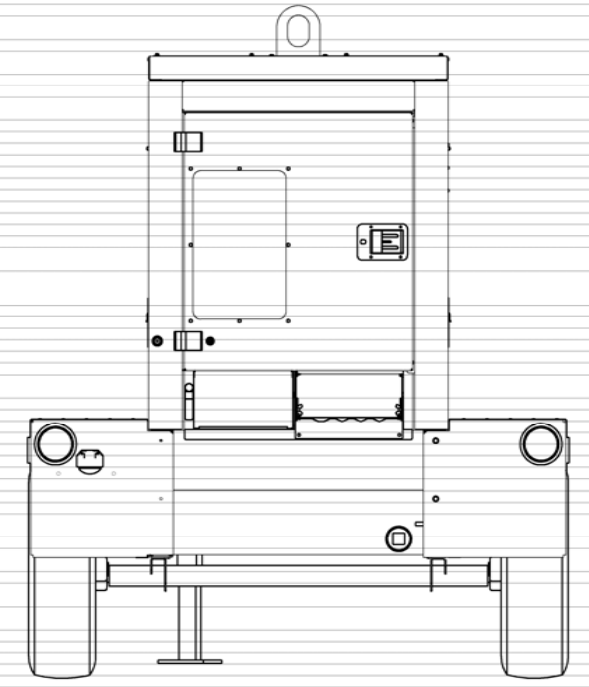
**VIEW B**  
SEE SHEET 3 FOR ENLARGED VIEW



**VIEW C**  
SEE SHEET 4 FOR ENLARGED VIEW



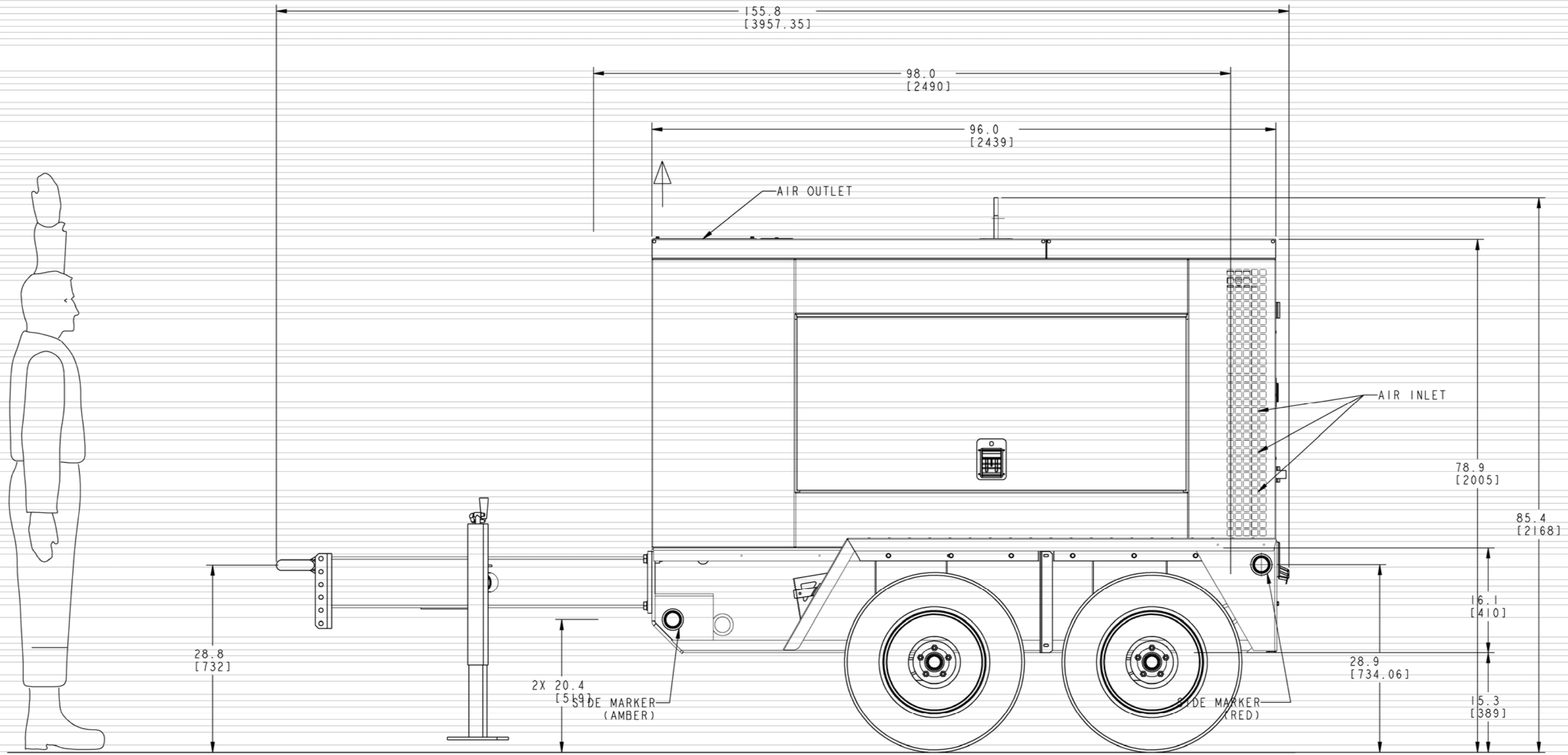
**VIEW A**  
SEE SHEET 2 FOR ENLARGED VIEW



**VIEW D**  
SEE SHEET 4 FOR ENLARGED VIEW

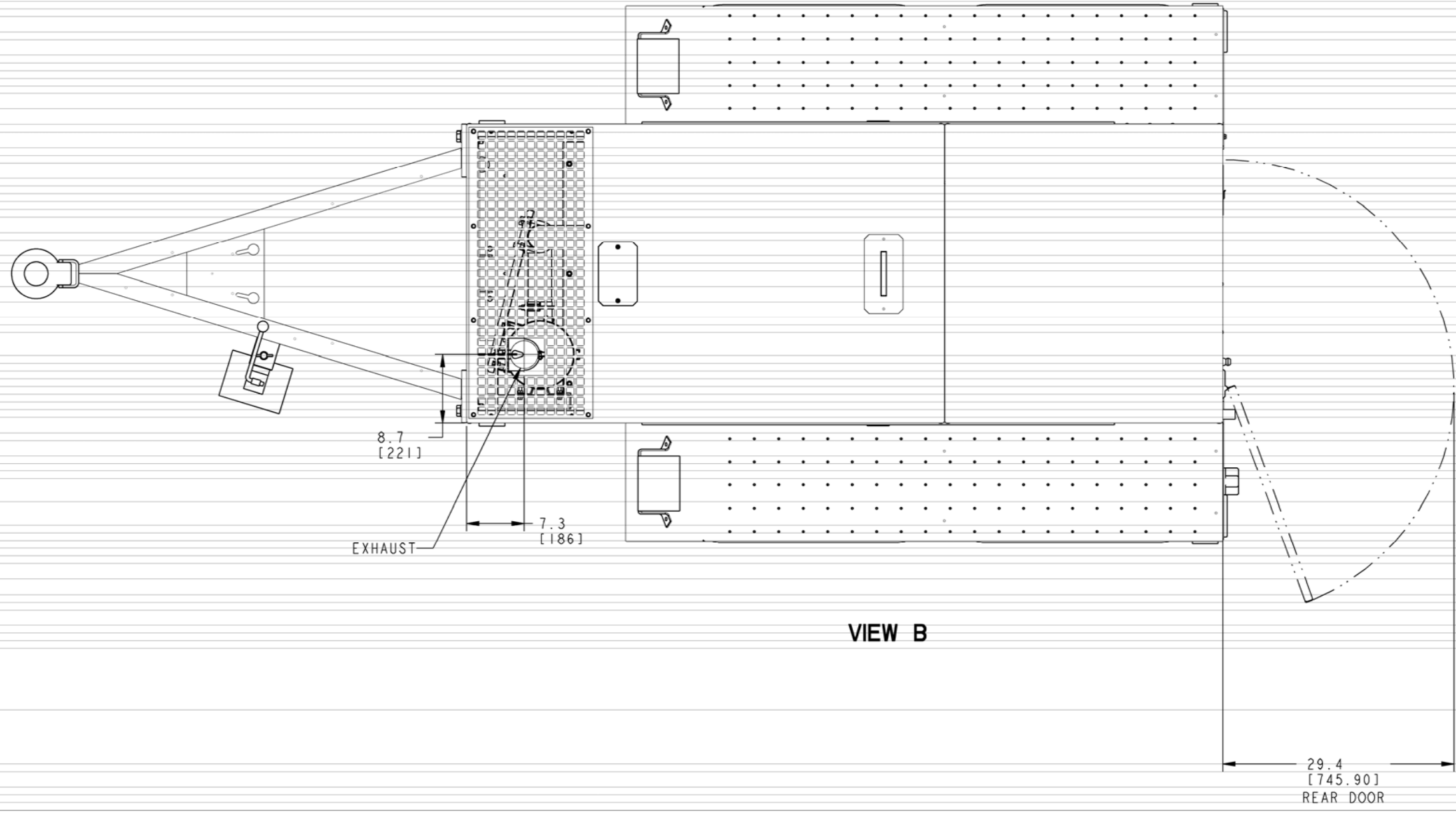
5  
A5

<b>TOLERANCES</b>  UNLESS OTHERWISE SPECIFIED, TOLERANCES ON DIMENSIONS ARE AS SPECIFIED ON DRAWING 36865731  UNLESS OTHERWISE SPECIFIED, ALL DIMENSIONS ARE IN MILLIMETERS.	WARNING: THE EXPORT OR REEXPORT OF THIS DRAWING OR A PRODUCT PRODUCED BY THIS DRAWING IS SUBJECT TO U.S. EXPORT ADMINISTRATION REGULATIONS AND OTHER APPLICABLE GOVERNMENT RESTRICTIONS OR REGULATIONS.	DO NOT SCALE DRAWING DRAWING CONFORMS TO ASME Y14.5M - 1994 CAD GENERATED DRAWING, NO MANUAL REVISIONS ALLOWED	THIRD ANGLE PROJECTION DRAWN PV DATE 05-11-25 CHECKED DBM DATE 05-11-28 APPROVED DBM DATE 05-11-28		
	<b>PROPRIETARY NOTICE</b> THIS DRAWING CONTAINS CONFIDENTIAL AND TRADE SECRET INFORMATION, IS THE PROPERTY OF INGERSOLL-RAND CO., AND IS GIVEN TO THE RECEIVER IN CONFIDENCE. THE RECEIVER BY RECEIPT AND RETENTION OF THE DRAWING ACCEPTS THE DRAWING IN CONFIDENCE AND AGREES THAT, EXCEPT AS AUTHORIZED IN WRITING BY INGERSOLL-RAND CO., IT WILL (1) NOT USE THE DRAWING OR ANY COPY THEREOF OR THE CONFIDENTIAL OR TRADE SECRET INFORMATION THEREIN; (2) NOT COPY THE DRAWING; (3) NOT DISCLOSE TO OTHERS EITHER THE DRAWING OR THE CONFIDENTIAL OR TRADE SECRET INFORMATION THEREIN; AND (4) UPON COMPLETION OF THE NEED TO INFORMATION THEREIN, DESTROY THE DRAWING.	UNLESS OTHERWISE SPECIFIED: REMOVE ALL BURRS AND SHARP CORNERS WELD SYMBOLS TO BE IN ACCORDANCE WITH ANSI/AWS A2.4	TITLE <b>GENERAL , ARRANGEMENT</b>		
		COPYRIGHT © 2006 INGERSOLL-RAND COMPANY	SIZE <b>A1</b>	ESTIMATED WEIGHT (KG UNLESS OTHERWISE SPECIFIED) DWG NO. <b>22791388</b>	REV <b>B</b>



VIEW A

<small>         PROPRIETARY NOTICE          THIS DRAWING CONTAINS CONFIDENTIAL AND TRADE SECRET INFORMATION, IS THE PROPERTY OF INGERSOLL-RAND CO., AND IS LOANED TO THE RECEIVER IN CONFIDENCE. THE RECEIVER BY RECEIPT AND RETENTION OF THE DRAWING ACCEPTS THE DRAWING IN CONFIDENCE AND AGREES THAT, EXCEPT AS AUTHORIZED IN WRITING BY INGERSOLL-RAND CO., IT WILL NOT COPY THE DRAWING OR ANY COPY THEREOF OR THE CONFIDENTIAL OR TRADE SECRET INFORMATION THEREIN; (2) NOT COPY THE DRAWING; (3) NOT DISCLOSE TO OTHERS EITHER THE DRAWING OR THE CONFIDENTIAL OR TRADE SECRET INFORMATION CONTAINED THEREIN WITHOUT THE WRITTEN PERMISSION OF INGERSOLL-RAND CO.       </small>		<small>TITLE</small> <b>GENERAL , ARRANGEMENT</b>		
<small>SIZE</small> <b>A1</b>	<small>DWG NO.</small> <b>22791388</b>	<small>REV</small> <b>B</b>		



VIEW B

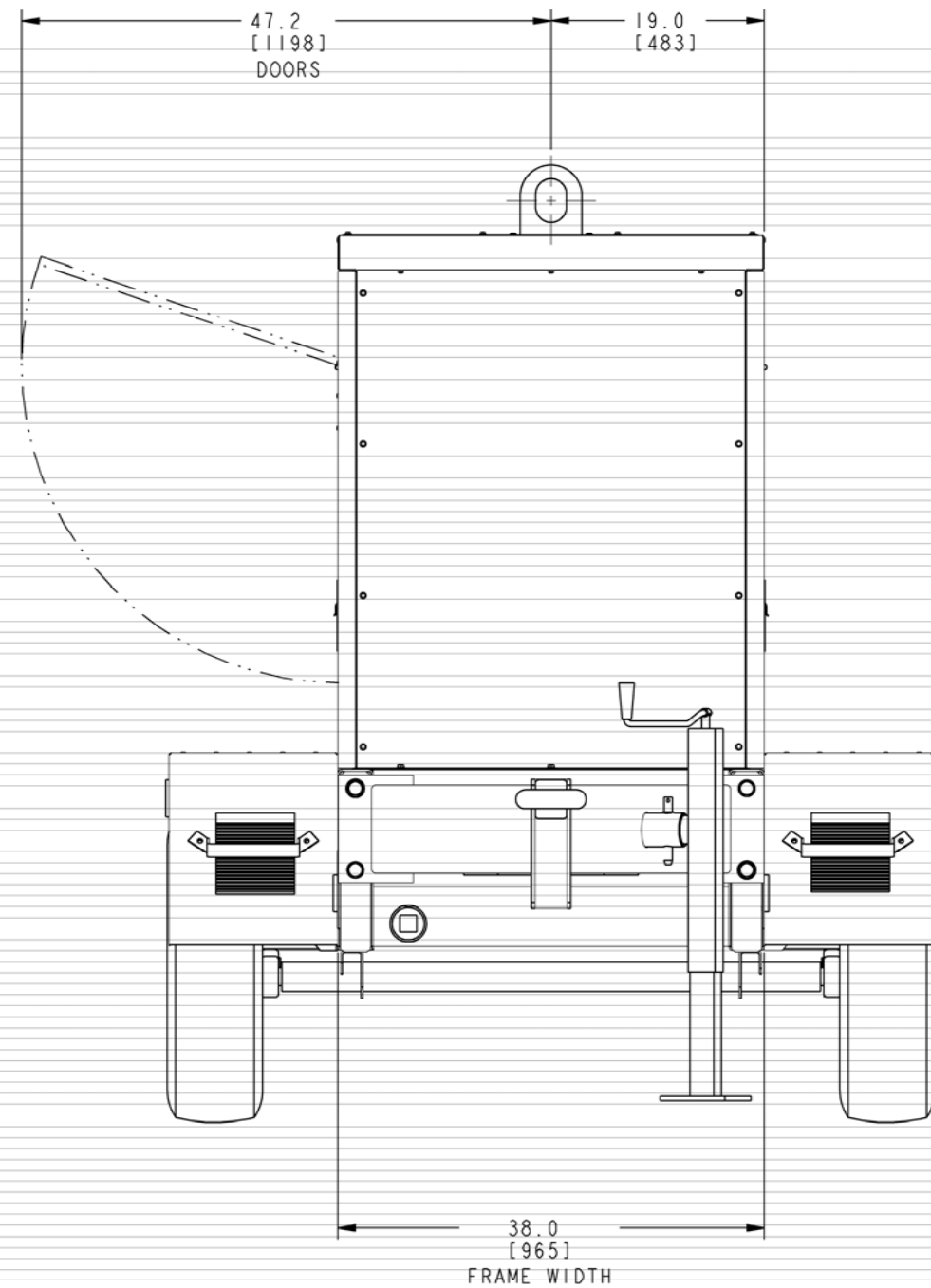
29.4  
[745.90]  
REAR DOOR

8.7  
[221]

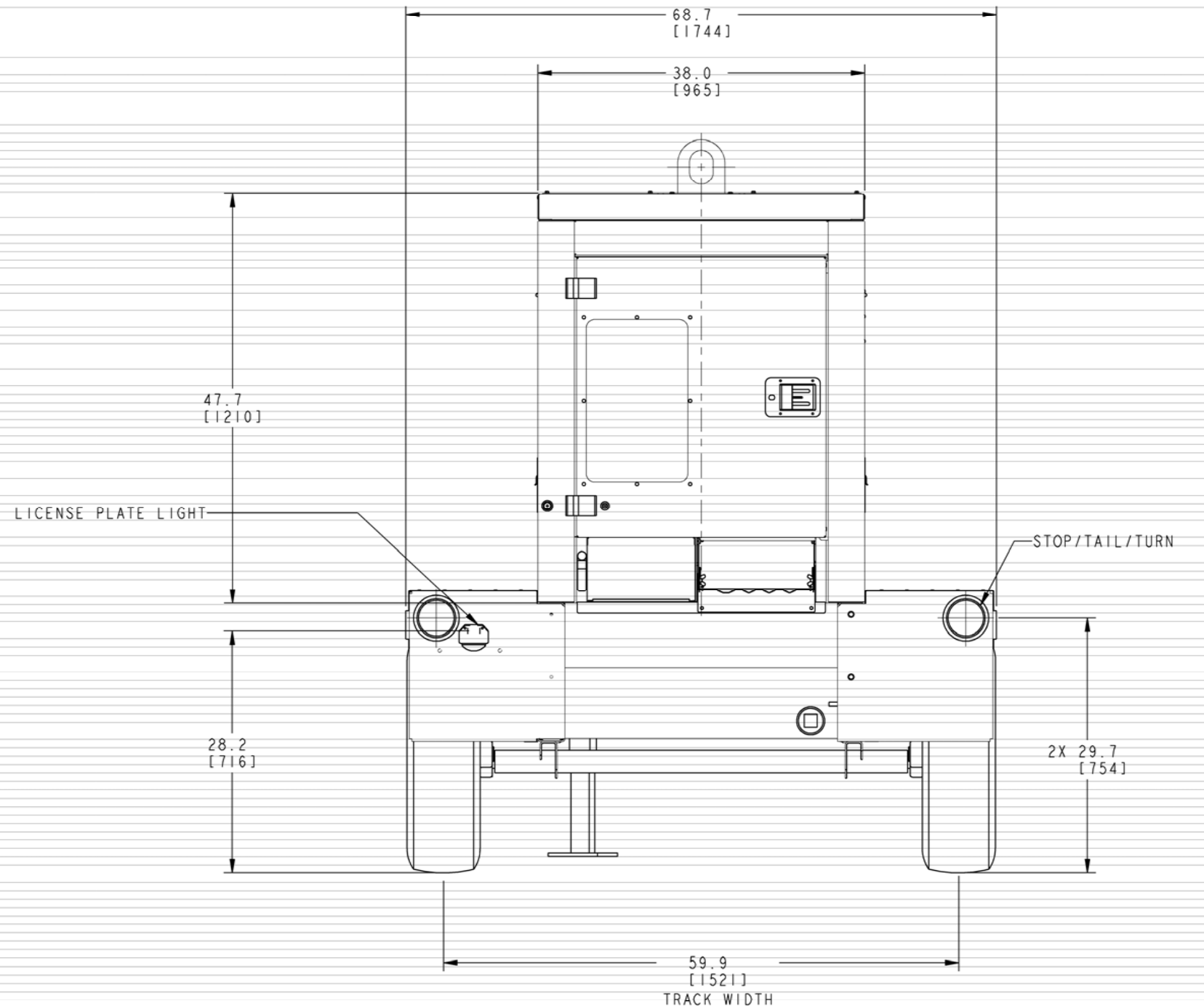
7.3  
[186]

EXHAUST


<small>PROPRIETARY NOTICE</small> THIS DRAWING CONTAINS CONFIDENTIAL AND TRADE SECRET INFORMATION, IS THE PROPERTY OF INGERSOLL-RAND CO., AND IS LOANED TO THE RECEIVER IN CONFIDENCE. THE RECEIVER BY RECEIPT AND RETENTION OF THE DRAWING ACCEPTS THE DRAWING IN CONFIDENCE AND AGREES THAT, EXCEPT AS AUTHORIZED IN WRITING BY INGERSOLL-RAND CO., IT WILL NOT USE THE DRAWING OR ANY COPY THEREOF OR THE CONFIDENTIAL OR TRADE SECRET INFORMATION THEREIN; (2) NOT COPY THE DRAWING; (3) NOT DISCLOSE TO OTHERS EITHER THE DRAWING OR THE CONFIDENTIAL OR TRADE SECRET INFORMATION CONTAINED HEREIN WITHOUT PERMISSION OF THE REVENUE DIVISION.		<small>TITLE</small> <b>GENERAL , ARRANGEMENT</b>		
<small>SIZE</small> <b>A1</b>	<small>DWG NO.</small> <b>22791388</b>	<small>REV</small> <b>B</b>		

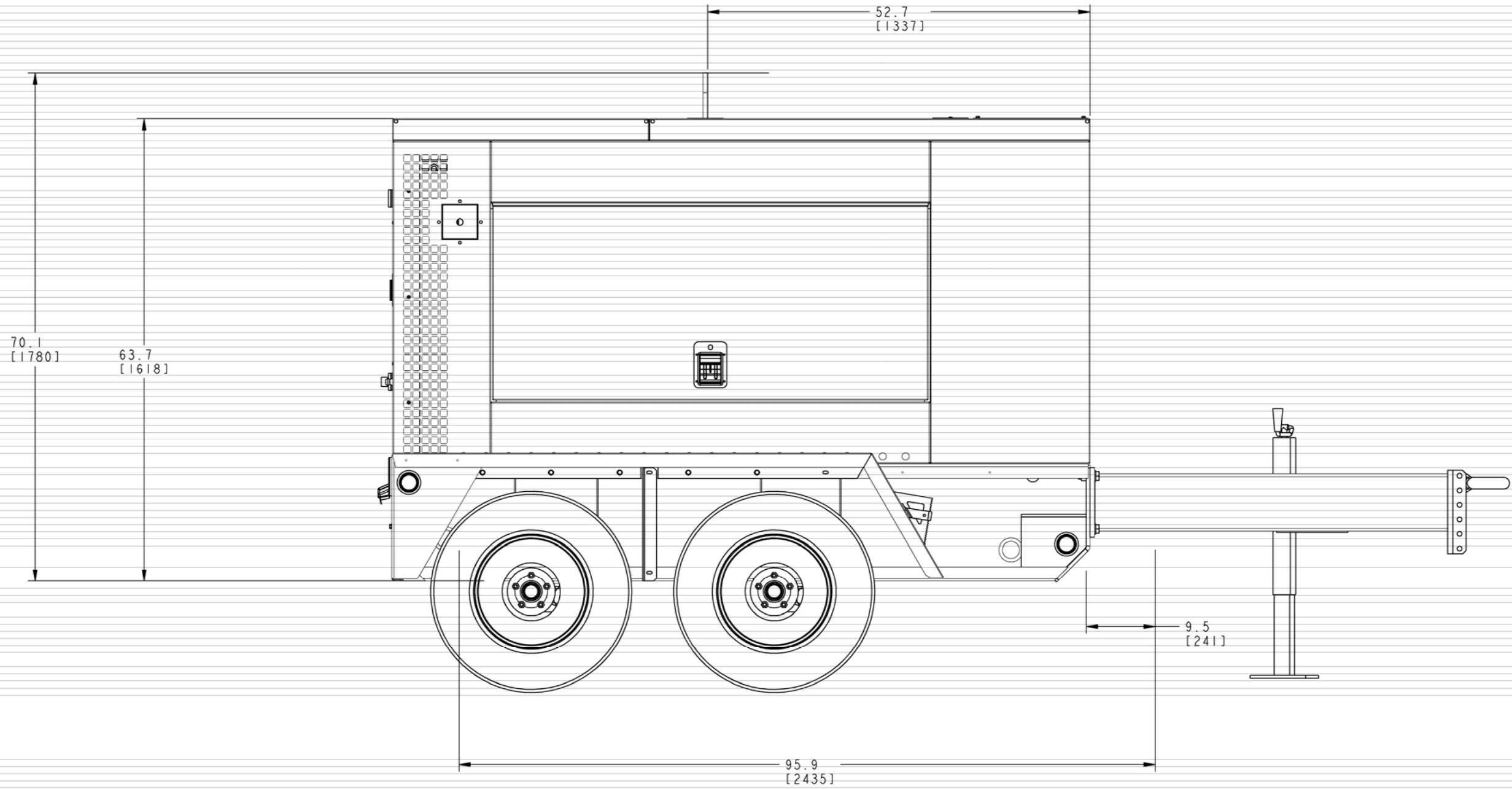


VIEW C




VIEW D

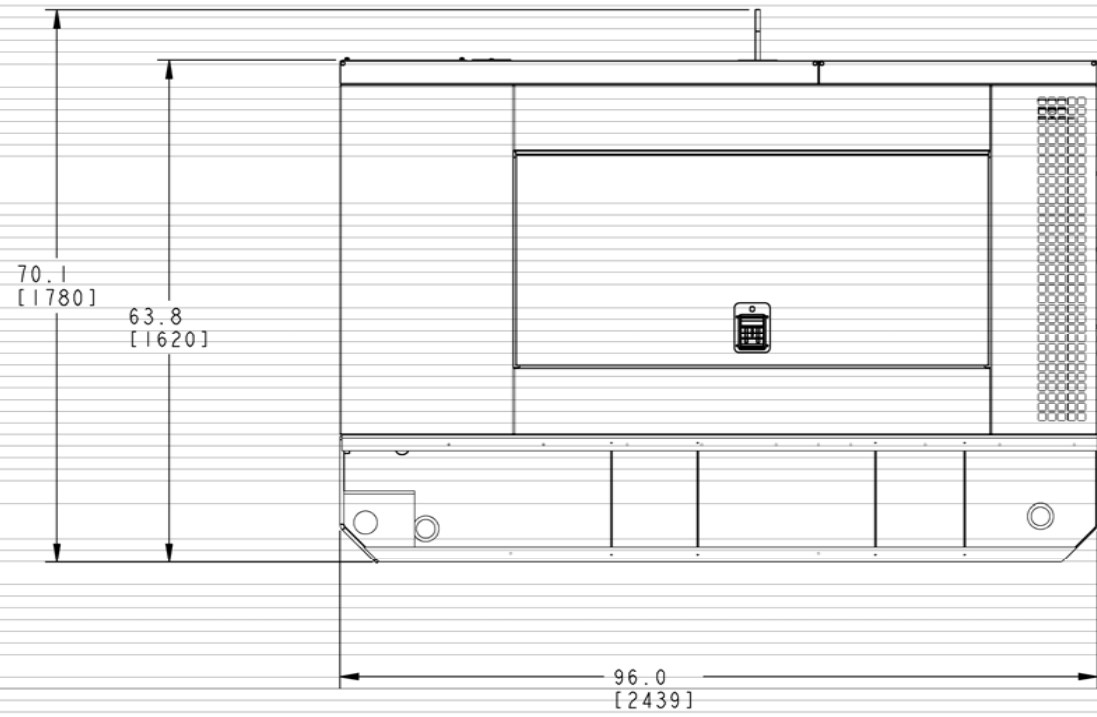
<small>PROPRIETARY NOTICE</small> <small>THIS DRAWING CONTAINS CONFIDENTIAL AND TRADE SECRET INFORMATION, IS THE PROPERTY OF INGERSOLL-RAND CO., AND IS LOANED TO THE RECEIVER IN CONFIDENCE. THE RECEIVER BY RECEIPT AND RETENTION OF THE DRAWING ACCEPTS THE DRAWING IN CONFIDENCE AND AGREES THAT, EXCEPT AS AUTHORIZED IN WRITING BY INGERSOLL-RAND CO., IT WILL (1) NOT USE THE DRAWING OR ANY COPY THEREOF OR THE CONFIDENTIAL OR TRADE SECRET INFORMATION THEREIN; (2) NOT COPY THE DRAWING; (3) NOT DISCLOSE TO OTHERS EITHER THE DRAWING OR THE CONFIDENTIAL OR TRADE SECRET INFORMATION CONTAINED THEREIN; AND (4) NOT REPRODUCE THE DRAWING.</small>		<small>TITLE</small> <b>GENERAL , ARRANGEMENT</b>		
<small>SIZE</small> <b>A1</b>	<small>DWG NO.</small> <b>22791388</b>	<small>REV</small> <b>B</b>		



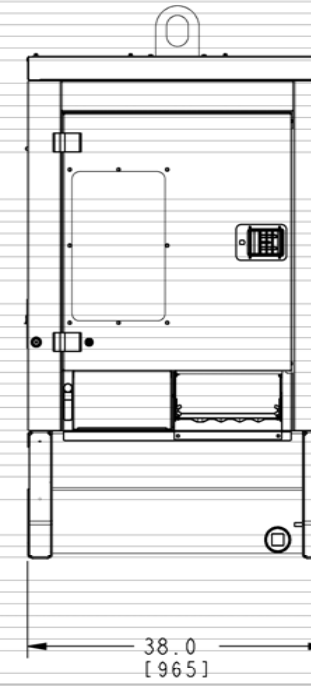
VIEW E-E 

1
A8

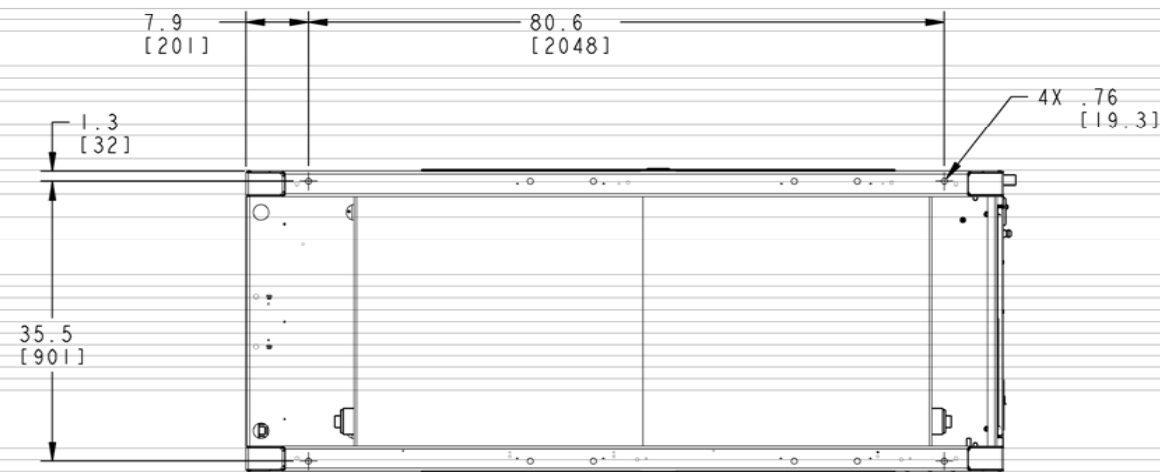
<small>PROPRIETARY NOTICE</small> THIS DRAWING CONTAINS CONFIDENTIAL AND TRADE SECRET INFORMATION, IS THE PROPERTY OF INGERSOLL-RAND CO., AND IS LOANED TO THE RECEIVER IN CONFIDENCE. THE RECEIVER BY RECEIPT AND RETENTION OF THE DRAWING ACCEPTS THE DRAWING IN CONFIDENCE AND AGREES THAT, EXCEPT AS AUTHORIZED IN WRITING BY INGERSOLL-RAND CO., IT WILL (1) NOT USE THE DRAWING OR ANY COPY THEREOF OR THE CONFIDENTIAL OR TRADE SECRET INFORMATION THEREIN; (2) NOT COPY THE DRAWING; (3) NOT DISCLOSE TO OTHERS EITHER THE DRAWING OR THE CONFIDENTIAL OR TRADE SECRET INFORMATION CONTAINED THEREIN; AND (4) NOT REPRODUCE THE DRAWING.		<small>TITLE</small> <b>GENERAL , ARRANGEMENT</b>		
<small>SIZE</small> <b>A1</b>	<small>DWG NO.</small> <b>22791388</b>	<small>REV</small> <b>B</b>		




LESS RUNNING GEAR OPTION  
(LEFT VIEW)



LESS RUNNING GEAR OPTION  
(CONTROLS VIEW)



LESS RUNNING GEAR OPTION  
(BOTTOM VIEW)

<small>PROPRIETARY NOTICE</small> THIS DRAWING CONTAINS CONFIDENTIAL AND TRADE SECRET INFORMATION, IS THE PROPERTY OF INGERSOLL-RAND CO., AND IS LOANED TO THE RECEIVER IN CONFIDENCE. THE RECEIVER BY RECEIPT AND RETENTION OF THE DRAWING ACCEPTS THE DRAWING IN CONFIDENCE AND AGREES THAT, EXCEPT AS AUTHORIZED IN WRITING BY INGERSOLL-RAND CO., IT WILL (1) NOT USE THE DRAWING OR ANY COPY THEREOF OR THE CONFIDENTIAL OR TRADE SECRET INFORMATION THEREIN; (2) NOT COPY THE DRAWING; (3) NOT DISCLOSE TO OTHERS EITHER THE DRAWING OR THE CONFIDENTIAL OR TRADE SECRET INFORMATION CONTAINED THEREIN; AND (4) HOLD CONFIDENTIALITY OF THE HEREIN.		<small>TITLE</small> <b>GENERAL , ARRANGEMENT</b>		
<small>SIZE</small> <b>A1</b>	<small>DWG NO.</small> <b>22791388</b>	<small>REV</small> <b>B</b>		